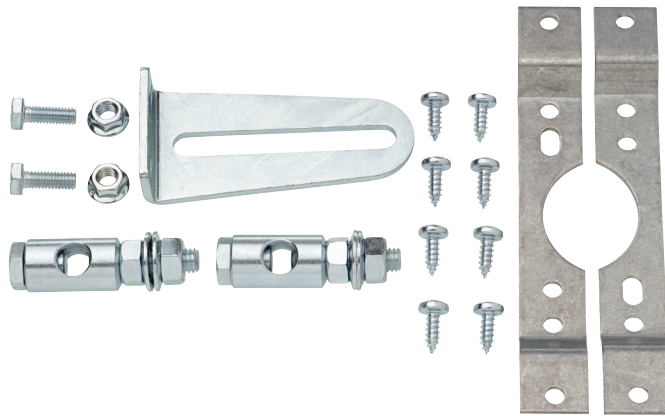


**Mounting kit for linkage operation SM..A**

- for flat installation
- 2 fastening elements
- 2 ball joint KG10A
- 1 crank arm
- 10 screws and 2 nuts



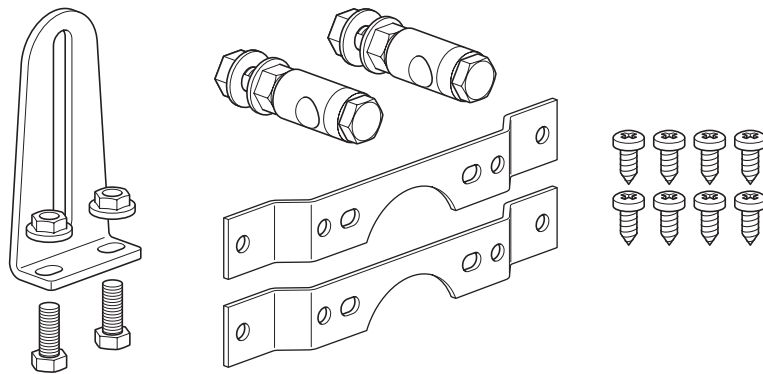
**Technical data**

|               |                |             |
|---------------|----------------|-------------|
| <b>Weight</b> | Weight         | 0.3 kg      |
|               | Packaging size | Single-pack |

**Product features**

**Used materials** Galvanised steel

**Application** Suitable for NKQ..A, NMQ..A, SM..A, SMC..A, SMD..A, SMQ..A



Dimensions [mm]

Dimensional drawings

