

Globe valve, 3-way, Flange, PN 16

- For closed (high temperature) hot water and steam systems in the non-critical range
- For modulating control of air-handling and heating systems on the water side


Type overview

Type	DN []	kvs [m³/h]	Stroke [mm]	PN []	n(gl) []	Sv min. []
H715S	15	4	20	16	3	50
H720S	20	6.3	20	16	3	100
H725S	25	10	20	16	3	100
H732S	32	16	20	16	3	100
H740S	40	25	20	16	3	100
H750S	50	40	20	16	3	100
H765S	65	63	30	16	3	100
H780S	80	100	30	16	3	100
H7100S	100	160	30	16	3	100

Technical data

Functional data	Media	Hot water and steam ($\Delta p/P1 < 0.4$), water with max. 50% volume of glycol
Medium temperature		5...150°C
Medium temperature note		120°C up to 1600 kPa 150°C up to 1400 kPa
Permissible pressure ps		1600 kPa
Flow characteristic		Control path A - AB: equal percentage (VDI/VDE 2173) n(gl) = 3, optimised in the opening range; Bypass B - AB: Linear (VDI/VDE 2173)
Leakage rate		Control path A - AB: max. 0.05% of the kvs value; Bypass B - AB: max. 1% of the kvs value
Pipe connector		Flange PN 16 according to ISO 7005-2
Closing point		Top (▲)
Installation position		Upright to horizontal (in relation to the stem)
Maintenance		Maintenance-free
Materials	Body	EN-JL1040 (GG25), with protective paint
	Closing element	Stainless steel
	Stem	Stainless steel
	Stem	Stainless steel
	Stem seal	PFTE V-ring
	Seat	Stainless steel

Safety notes

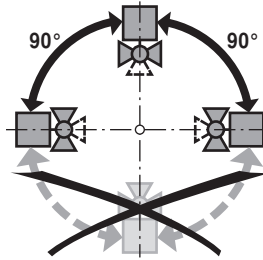

- The valve has been designed for use in stationary heating, ventilation and air-conditioning systems and must not be used outside the specified field of application, especially in aircraft or in any other airborne means of transport.
- Only authorised specialists may carry out installation. All applicable legal or institutional installation regulations must be complied during installation.
- The valve does not contain any parts that can be replaced or repaired by the user.
- The valve may not be disposed of as household refuse. All locally valid regulations and requirements must be observed.
- When determining the flow rate characteristic of controlled devices, the recognised directives must be observed.

Product features

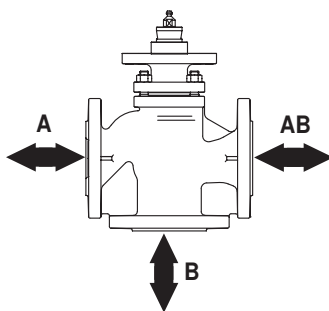
- Mode of operation** The globe valve is adjusted by a globe valve actuator. The actuators are controlled by a commercially available modulating or 3-point control system and move the valve cone, which acts as a mixing device, to the opening position dictated by the positioning signal.
- Flow characteristic** An equal percentage flow characteristic in the flow direction is produced by the profile of the valve cone. The bypass exhibits a linear characteristic curve.

Installation notes

- Recommended installation positions** The globe valve may be mounted upright to horizontal. It is not permissible to mount the globe valves with the spindle pointing downwards.

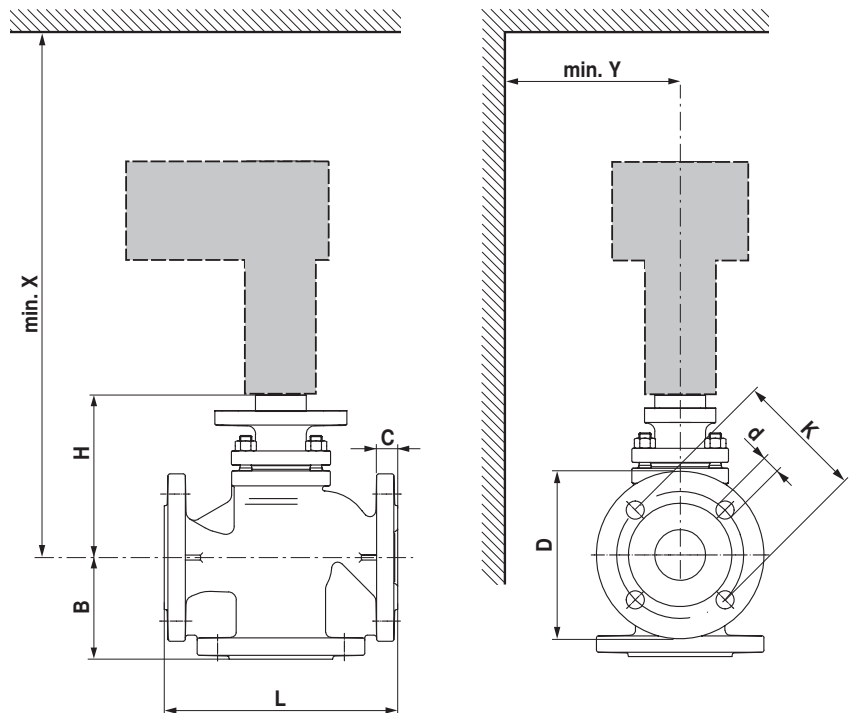


- Water quality requirements** The water quality requirements specified in VDI 2035 must be adhered to. Belimo valves are regulating devices. For the valves to function correctly in the long term, they must be kept free from particle debris (e.g. welding beads during installation work). The installation of suitable strainer is recommended.
- Maintenance** Globe valves and globe valve actuators are maintenance-free. Before any service work on the final controlling device is carried out, it is essential to isolate the globe valve actuator from the power supply (by unplugging the electrical cables if necessary). Any pumps in the part of the piping system concerned must also be switched off and the appropriate slide valves closed (allow all components to cool down first if necessary and always reduce the system pressure to ambient pressure level). The system must not be returned to service until the globe valve and the globe valve actuator have been reassembled correctly in accordance with the instructions and the pipeline has been refilled by professionally trained personnel.
- Flow direction** The valve can be used as mixing valve A+B to AB and as diverting valve AB to A+B. The maximum pressure values are lower in diverting mode than in mixed mode (see mounting instructions).



Dimensions / Weight

Dimensional drawings



X/Y: Minimum distance with respect to the valve centre.
The actuator dimensions can be found on the respective actuator data sheet.

Type	DN []	L [mm]	B [mm]	H [mm]	C [mm]	D [mm]	d [mm]	K [mm]	X [mm]	Y [mm]	Weight [kg]
H715S	15	130	65	116	14	95	4 x 14	65	370	100	5.1
H720S	20	150	70	116	16	105	4 x 14	75	370	100	6.1
H725S	25	160	75	131	16	115	4 x 14	85	390	100	7.1
H732S	32	180	80	157	18	140	4 x 18	100	420	100	9.7
H740S	40	200	90	162	18	150	4 x 18	110	430	100	13
H750S	50	230	100	160	20	165	4 x 18	125	430	100	16.8
H765S	65	290	120	199	20	185	4 x 18	145	550	150	23.5
H780S	80	310	130	215	22	200	8 x 18	160	570	150	30
H7100S	100	350	150	234	24	220	8 x 18	180	590	150	46.5

Further documentation

- Overview Valve-actuator combinations
- Data sheets for globe valve actuators
- Installation instructions for valves and/or globe valve actuators
- Notes for project planning 2-way and 3-way globe valves