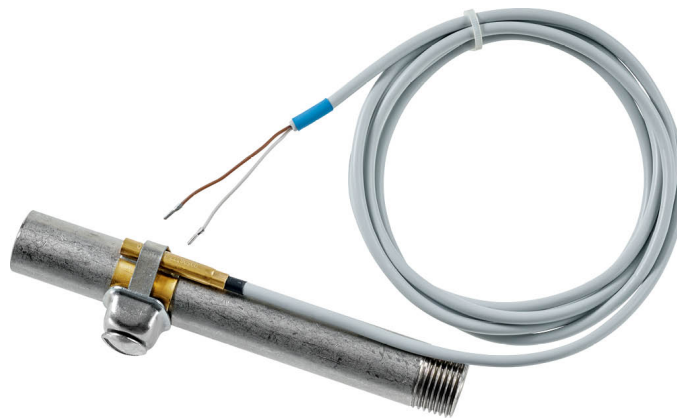


Strap-on temperature sensor

For temperature measurement on pipe and arched surfaces. PVC cable and a brass probe for fast response and accuracy. NEMA 4X / IP65 rated enclosure.


Type Overview

Type	Output signal passive temperature
01ST-1A3	Pt100
01ST-1B3	Pt1000
01ST-1C3	Ni1000
01ST-1D3	Ni1000TK5000
01ST-1F3	NTC1k8
01ST-1L3	NTC10k (10k2)
01ST-1Q3	NTC20k

Technical Data

Electrical data	Electrical connection	Cable 2 m, 2-wire
Functional data	Output signal passive temperature	Pt100 Pt1000 Ni1000 Ni1000TK5000 NTC1k8 NTC10k (10k2) NTC20k
Measuring data	Application	Water
	Measuring values	Temperature
	Measuring range temperature	-35...100°C [-30...210°F]
	Accuracy temperature passive	Passive Sensors depending on used type Pt.. : Class B, $\pm 0.3^{\circ}\text{C}$ @ 0°C [$\pm 0.5^{\circ}\text{F}$ @ 32°F] Ni.. : $\pm 0.4^{\circ}\text{C}$ @ 0°C [$\pm 0.7^{\circ}\text{F}$ @ 32°F] NTC.. : $\pm 0.2^{\circ}\text{C}$ @ 25°C [$\pm 0.35^{\circ}\text{F}$ @ 77°F]
Safety data	Ambient humidity	Max. 95% r.H., non-condensing
	Ambient temperature	-35...100°C [-30...210°F]
	Fluid temperature	-35...100°C [-30...210°F]
	Protection class IEC/EN	III Safety Extra-Low Voltage (SELV)
	Protection class UL	UL Class 2 Supply
	EU Conformity	CE Marking
	Certification IEC/EN	IEC/EN 60730-1
	Degree of protection IEC/EN	IP65
	Degree of protection NEMA/UL	NEMA 4
	Quality Standard	ISO 9001

Safety notes


This device has been designed for use in stationary heating, ventilation and air-conditioning systems and must not be used outside the specified field of application. Unauthorised modifications are prohibited. The product must not be used in relation with any equipment that in case of a failure may threaten humans, animals or assets.

Ensure all power is disconnected before installing. Do not connect to live/operating equipment.

Only authorised specialists may carry out installation. All applicable legal or institutional installation regulations must be complied during installation.

The device contains electrical and electronic components and must not be disposed of as household refuse. All locally valid regulations and requirements must be observed.

Remarks
General remarks concerning sensors

Due to self-heating with 2 wire passive sensors, the supply wire current affects the measurement accuracy, so it should not exceed 1 mA.

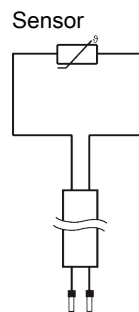
When using lengthy connecting cables (depending on the cross section used), the cable resistance must be taken into account. The lower the impedance of the sensor used, the greater the effect of the line resistance on the measurement, because it generates an offset.

Scope of delivery

Scope of delivery	Description	Type
	Fixing strap, for pipes up to Ø 40...110 mm [1.6...4.3"]	A-22P-A47

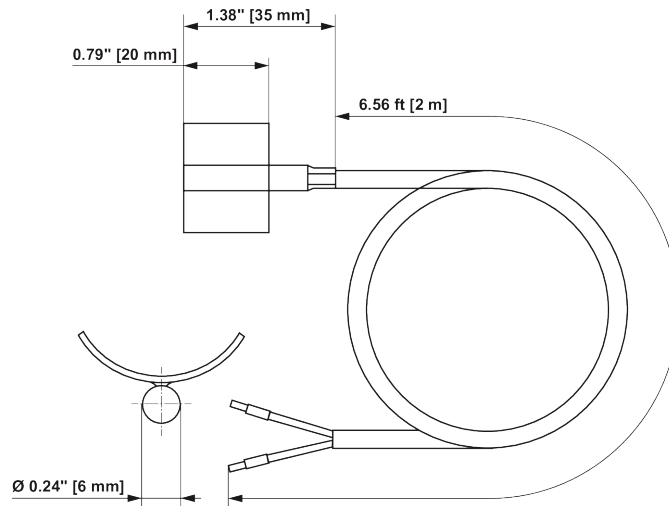
Accessories

Optional accessories	Description	Type
	Fixing strap, for pipes up to Ø 40...250 mm [1.6...9.8"]	A-22P-A49
	Syringe with thermal paste	A-22P-A44

Wiring diagram


Dimensions

Dimensions



Type	Weight
01ST-1A3	0.08 kg
01ST-1B3	0.08 kg
01ST-1C3	0.08 kg
01ST-1D3	0.08 kg
01ST-1F3	0.08 kg
01ST-1L3	0.08 kg
01ST-1Q3	0.08 kg