

**Duct/Immersion Temperature Sensor**

For measuring temperature in duct applications. In connection with a stainless steel or brass thermowell also applicable for pipe applications. IP65 / NEMA 4X rated enclosure.


**Type Overview**

Type	Output signal	Probe length	Probe diameter
01DT-1HP	NTC5k	200 mm	6 mm

**Technical Data**

<b>Electrical data</b>	Electrical connection	Removable spring loaded terminal block max. 2.5 mm <sup>2</sup>
	Cable entry	Cable gland with strain relief Ø6...8 mm
<b>Functional data</b>	Output signal passive temperature	NTC5k
	Application	Air Water
<b>Measuring data</b>	Measuring values	Temperature
	Measuring range temperature	-50...150°C [-60...300°F]
	Accuracy temperature passive	±0.2°C @ 25°C [±0.35°F @ 77°F]
	Time constant t (63%) in the air duct	typical 210 s @ 0 m/s typical 46 s @ 3 m/s
	Time constant t (63%) in water pipe	with thermowell A-22P-A.. and thermal contact fluid typical 7 s with thermowell brass typical 9 s with thermowell stainless steel
<b>Materials</b>	Cable gland	Plug Adapter: PA66, black Nut: PA6, black
	Housing	Cover: Lexan, orange Bottom: Lexan, orange Seal: 0467 NBR70, black UV resistant

<b>Safety data</b>	Ambient humidity	Max. 95% r.H., non-condensing
	Ambient temperature	-35...50°C [-30...120°F]
	Fluid temperature	-50...150°C [-60...300°F]
	Housing surface temperature	Max. 90°C [195°F]
	Protection class IEC/EN	III Safety Extra-Low Voltage (SELV)
	Protection class UL	UL Class 2 Supply
	EU Conformity	CE Marking
	Certification IEC/EN	IEC/EN 60730-1
	Certification UL	cULus acc. to UL60730-1A/-2-9, CAN/CSA E60730-1:02/-2-9
	Degree of protection IEC/EN	IP65
Quality Standard	ISO 9001	

**Safety notes**


This device has been designed for use in stationary heating, ventilation and air-conditioning systems and must not be used outside the specified field of application. Unauthorised modifications are prohibited. The product must not be used in relation with any equipment that in case of a failure may threaten humans, animals or assets.

Ensure all power is disconnected before installing. Do not connect to live/operating equipment.

Only authorised specialists may carry out installation. All applicable legal or institutional installation regulations must be complied during installation.

The device contains electrical and electronic components and must not be disposed of as household refuse. All locally valid regulations and requirements must be observed.

**Remarks**

**General remarks concerning sensors** Due to self-heating with 2 wire passive sensors, the supply wire current affects the measurement accuracy, so it should not exceed 1 mA.

When using lengthy connecting cables (depending on the cross section used), the cable resistance must be taken into account. The lower the impedance of the sensor used, the greater the effect of the line resistance on the measurement, because it generates an offset.

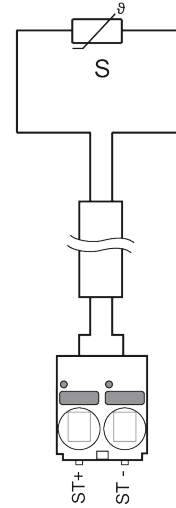
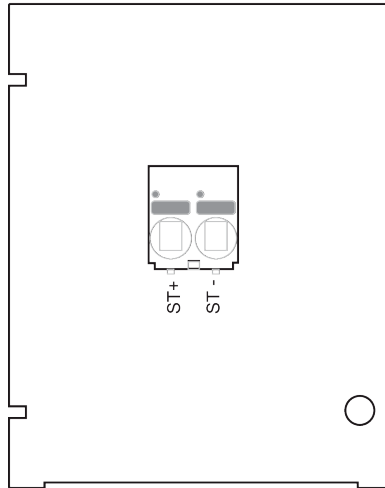
**Scope of delivery**

Scope of delivery	Description	Type
	Mounting clip, with screws and adhesive foil	A-22D-A11

**Accessories**

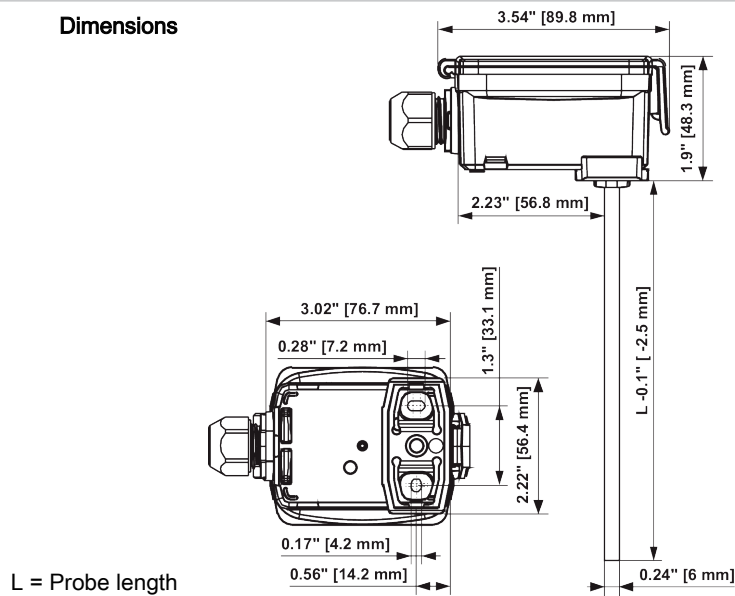
Optional accessories	Description	Type
	Mounting plate S housing	A-22D-A09
Optional accessories air	Description	Type
	Mounting flange for sensor probe 6 mm, up to max. 80°C, Plastic	A-22D-A03
	Mounting flange for sensor probe 6 mm, up to max. 260°C, Brass	A-22D-A05
Recommended accessories water	Description	Type
	Thermowell pocket (fabricated) Stainless steel, 200 mm, G1/2", SW27	A-22P-A12
	Thermowell pocket (fabricated) Brass, 200 mm, R1/2", SW22	A-22P-A24
	Syringe with thermal paste	A-22P-A44
	Compression fitting, Stainless steel, G 1/4" (external thread) for 6 mm, with cutting ring	A-22P-A45
	Adapter for Siemens thermowell pocket	A-22P-A53

Wiring diagram



Dimensions

Dimensions



Type	Probe length	Weight
01DT-1HP	200 mm	0.13 kg